

At ANSYS, we believe that technology shouldn't hinder the innovation of new ideas, nor should it get in the way of developing high-quality, efficient tools. In our new release, we made ANSYS® SpaceClaim better and faster — delivering a top-of-the-line product to help you throughout the entire product workflow. We've addressed customer concerns, emerging technologies, and rapidly growing trends while honing our core features that distinguish SpaceClaim from other 3-D modeling solutions.

ANSYS SpaceClaim 2015 delivers:

Enhanced 3-D Printing Preparation

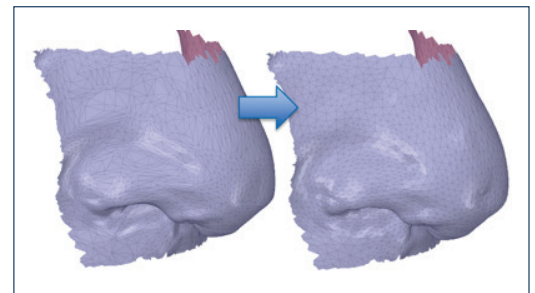
- New cleanup and print prep tools, including: Repair Holes, Repair Sharps, Thicken, Smooth, Regularize, Separate and Join
- New print analysis tools: thickness analysis, overhang analysis
- Merge/subtract/edit open meshes, including direct editing of meshes with Pull/Move tools
- Ability to scale meshes non-uniformly
- Localized reduce capability for increased mesh accuracy
- Mesh to mesh deviation analysis
- Volume and area measurements, as well as Volume Extract, Enclosure, and Replace tools now supporting meshes

Upgrades to Simulation Prep

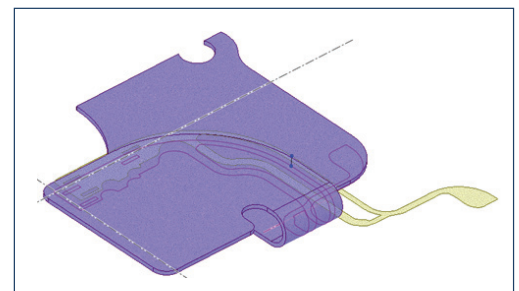
- New Imprint and Wrap tools for better control over connections between parts
- New simulation cleanup and detection tools: Short Edges, Overlap Faces, Corrupt Faces
- Power selection and update of mid-surfaces to geometry changes
- Driving dimensions from Pull tool edge pivot, as well as imports of layer contents into selection sets
- Improved integration with ANSYS Workbench™, including:
 - Import geometry from Workbench and Design Modeler into SpaceClaim
 - ANSYS Neutral File (ANF) format export
 - 10-20x transfer speed improvement for assemblies
 - New transfer option — “explode during transfer”
 - Shared topology performance improvements
 - Direct connection to ANSYS HFSS™ is now supported

SpaceClaim 2015

- Enhanced 3D Printing Preparation
- Upgrades to Simulation Prep
- Concept Design and General Modeling Improvements
- Manufacturing Preparation Enhancements
- Interoperability Advances
- Sheet-Metal Enrichments
- Detailing



Regularize triangles to evenly position them across a surface.



Wrap solid geometry or surfaces around curved parts.

Concept Design and General Modeling Improvements

- Custom shortcuts that personalize SpaceClaim tools to your needs
- Pivoting of surface edges and vertices
- Reverse engineering improvements, such as a dedicated mesh curve fitting tool and snap to point
- Blend improvements — blend to point capability
- Automatic Clip Volume for Repair tool options
- Tangent/natural extensions for curves and surfaces
- Variable radius rounds, re-ordering of overlapping round chains, and projected linked points
- Plugin for Makerbot Upload
- Mirror depression/protrusion, min/max curvature points shown, and ability to scale points/axes
- "Paste Independent" and replace component commands, support multiple components

Manufacturing Preparation Enhancements

- Relief tool for automated cutout creation at sharp corners
- Deburring and Lathe profile creation tools for generating deburring and lathe tool path
- Curve Table tool for generating associative table of curve data for export
- Edges tool for extracting the wireframe version of a part
- Support for Mastercam X8

Interoperability Advances

- New import information, including layers, materials, JT facets only, and PDF faceted curves for optimal model editing
- Multi-threaded import for more file formats (JT, CATIA CGR), creating faster imports
- IDF Sync to update changes made in SpaceClaim
- Ability to map CATIA Geometric sets to SpaceClaim groups on file import
- OBJ improved texture export
- Updated version support for: Inventor 2015, NX 9, Parasolid 26, Solid Edge ST6, SolidWorks 2014
- Improved automated Converter application

Sheet-Metal Enrichments

- Swept walls, rounded louvers, split of blend junctions, and configurable junctions gaps
- Power Select of features to use only what you need faster
- Support for editing of U-shaped bends
- Fold up of individual walls and user-defined wall overlap %

Detailing

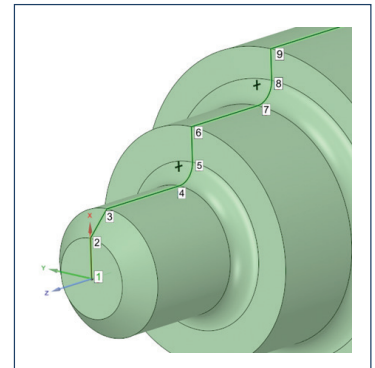
- BOM display controls: include and collapse properties
- Highlight selected point dimension, leader underline control, and 45° chamfer note
- Overall usability improvements, including option to hide annotations behind bodies

SpaceClaim 2015:
The fastest tool
to create, edit, and
repair 3D data.

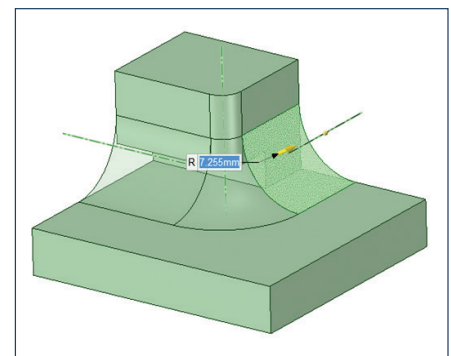
Please contact us for more
information.

info@spaceclaim.com

Ph: +1-978-482-2100



Automatically generate basic tool paths
from revolved geometry.



Create rounds directly as surfaces.

ANSYS SpaceClaim

150 Baker Ave. Ext.,
Concord, MA 01742 USA
Tel: +1 978.482.2100
Fax: +1 978.369.5864

www.spaceclaim.com